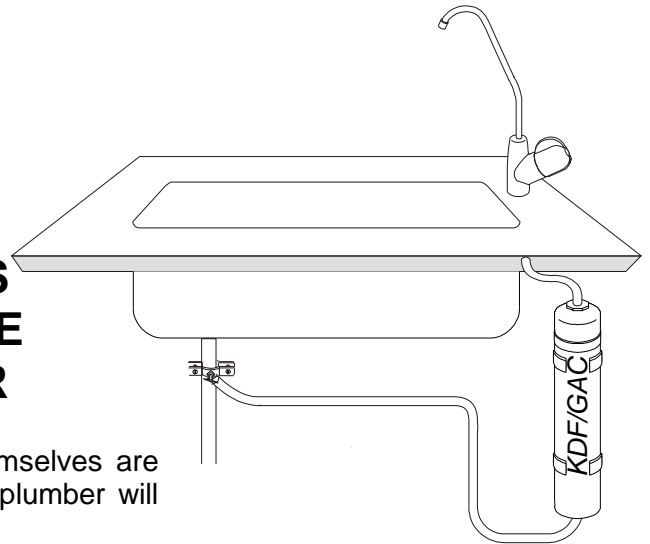




**TAYLOR**  
**PURIFICATION**  
water treatment specialists

## INSTALLATION INSTRUCTIONS FOR THE *KDF/GAC* 30,000 LITRE UNDER BENCH WATER FILTER



- \* Owners intending to install the *KDF-GAC* filter themselves are reminded that installation by other than a licensed plumber will render the *Warranty* to "parts only".
- \* In low pressure situations please ring your local Dealer, or the toll free number listed below, to ensure you will have enough pressure to operate this filter effectively.
- \* If you encounter any problems or have any questions ring your local Dealer or the toll free number listed below.
- \* No responsibility is taken for units damaged by excessive pressure or water hammer. Pressure Reduction Devices (PRV's) are highly recommended if water pressures go above 700 kPa (100 psi) or if you have washing machines or dishwashers with solenoid shut-off devices.
- \* Before drilling any holes in your bench top, ensure you can locate and attach the take off valve to the cold water supply.

### 1. Positioning the Take-off Valve. (Refer Figure 1)

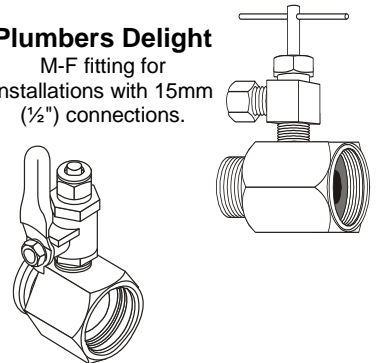
◆ The **Plumbers Delight** take-off valve is ideally suited for situations where a 15mm ( $\frac{1}{2}$ " ) pipe with exposed joins is available - such as on *flexihose*. Turn off the water mains and using thread seal, install the Plumbers Delight in-line. Turn the handle fully clockwise to shut off flow before re-establishing mains supply.

◆ The **Dish Washer Take Off** (DWTO) connector is designed to go straight onto the 20mm ( $\frac{3}{4}$ " ) tap connection for the dish washer. Fit the **Quick-Fit** fitting (see Figure 3 for operation) into one of the side ports and use the spare "bung" to block other ports not required. Turn off the tap on the wall, remove any existing hosing leading to an appliance, fit the DWTO onto the tap and reconnect any hose. Leave tap turned off until Step 6.

◆ If there are no 15mm or 20mm fittings available, a direct "pierce" into the pipe (but never into *flexihose*) is required using either the "**G**" **Clamp** or **Parallel** take-off valve -

- Locate the cold water pipe and confirm that it is not in fact the hot water supply by holding onto it while running the hot water for a moment.
- If the pipe is copper or plastic, it is not necessary to turn off the mains water supply to the house. Galvanised or iron pipe however, will need a 3.5 mm hole drilled into the pipe at the desired mounting point and therefore mains water will need to be turned off.
- Except in the case of a pre-drilled hole, ensure that the piercing lance on the take-off valve is completely backed up by turning the handle anti-clockwise - with pre-drilled holes the lance should protrude fully to act as a guide in positioning the valve.
- Ensure the black rubber seal is in place around the piercing lance outlet (nipple inwards, flat side out) - a wrap of thread tape around the rubber and metal work is ideal to ensure the seal doesn't disappear down the wall cavity while positioning!
- Tighten take-off valve in position. The backing plate on the Parallel valve and the compression flange on the "G" Clamp are reversible and should be placed as best suits the diameter of the pipe. Do not over tighten the Parallel or "G" Clamps excessively. If using the Parallel valve ensure the two plates finish parallel.

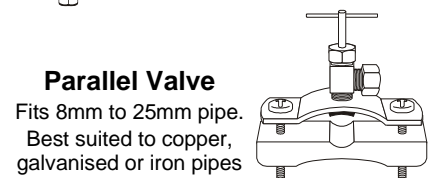
**Plumbers Delight**  
M-F fitting for  
installations with 15mm  
( $\frac{1}{2}$ " ) connections.



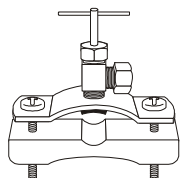
**Dish Washer Take Off**  
M-F fitting for installations with  
20mm ( $\frac{3}{4}$ " ) connection.  
Ideally suited for  
Kitchens with a dish-washer.



**G Clamp Valve**  
Fits 8mm to 15mm pipe  
Best suited to butylene  
& copper pipes



**Parallel Valve**  
Fits 8mm to 25mm pipe.  
Best suited to copper,  
galvanised or iron pipes



**Figure 1**  
Take-off Valves

## 2. Fitting Bench Faucet.

- Decide on the location of the faucet on the bench top and drill a 12 mm hole. (Remember you have to be able to reach the thread end to tighten it to the bench and attach the tube!)
- Assemble faucet in position as shown in Figure 2 and screw **Quick-Fit fitting** (A4FA-7/16) to the bottom of the tap.

## 3. Connecting Tubing.

- Cut a length of tube to connect to the faucet (this should be long enough to reach the desired final position of the filter/housing). Fit tube to the **Quick-Fit fitting** (A4FA-7/16).
- To connect the tube to the take-off valve, slide the compression nut onto the tubing followed by a plastic olive and then insert the brass or plastic insert. Attach to the take-off valve and tighten.
- Screw a white **Quick-Fit** fitting into both ends of the filter/housing. (Use thread tape to prevent leaks), attach the tube noting the direction of water flow as indicated by the arrow on the label



- Attaching to any Quick-Fit connector is as simple as pushing the tube in (no olives or inserts required) but always test your connection by pulling back on tube to ensure secure fit.

- If fitting the **Waterline PRV**, it goes **before the housing** and the flow direction is indicated by an arrow on the side. The **PRV** accepts a variety of **Quick-Fit** connectors and some options are illustrated in Figure 3. If mounting directly to the housing (using the male connector as illustrated in Figure 4) ensure the PRV is not likely to be exposed to violent knocks that could break the spigot. If in doubt, mount PRV out of potential danger using the keyed slots provided. Quick-Fit connectors detach from the PRV using the same method as illustrated in Figure 4. The Waterline PRV comes factory set with an output of 350 Kpa and it is recommended that this setting is left untouched.

- Screw mounting bracket to wall and clip cartridge in - orientation is not important.

## 4. Piercing and Establishing Flow.

- Turn handle on bench top faucet through 90°
- With **G Clamp** and **Parallel** take-off valves; screw the handle fully clockwise; this will puncture the copper or plastic pipe. (If iron pipe, screw fully in and turn mains water supply back on)
- Unscrew take-off handle anti-clockwise (or open tap if using a DWTO) and adjust for a maximum flow rate of 3 litres per minute. *Note: It may take some time for the filter to fill and pass water.*
- Turn faucet off to put system under pressure and check for leaks. Re-tighten connections if required.
- Run system for 10 minutes to flush new filter before use.

## 5. Replacing Filter

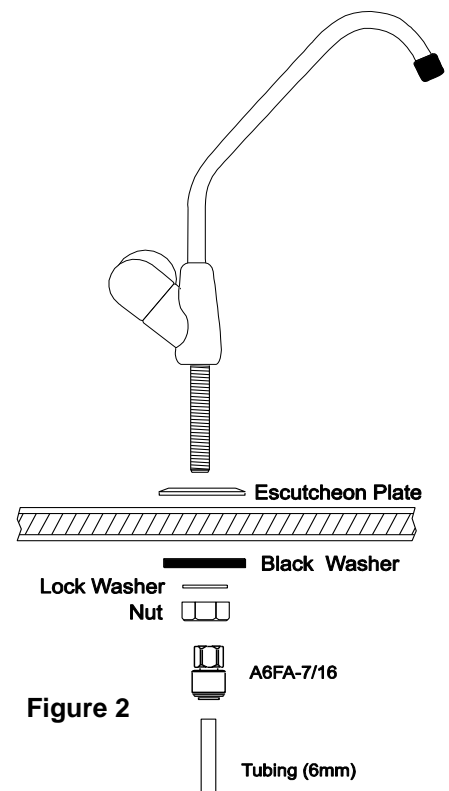
- We recommend filters are replaced annually as over time there will be sediment build up inside the filter.

---

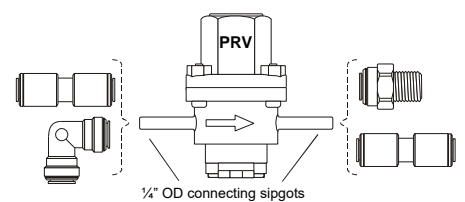
**Turn water supply to filter OFF if leaving the house for periods beyond 2 days.**

---

**Tollfree Help Line 0800 424 333**

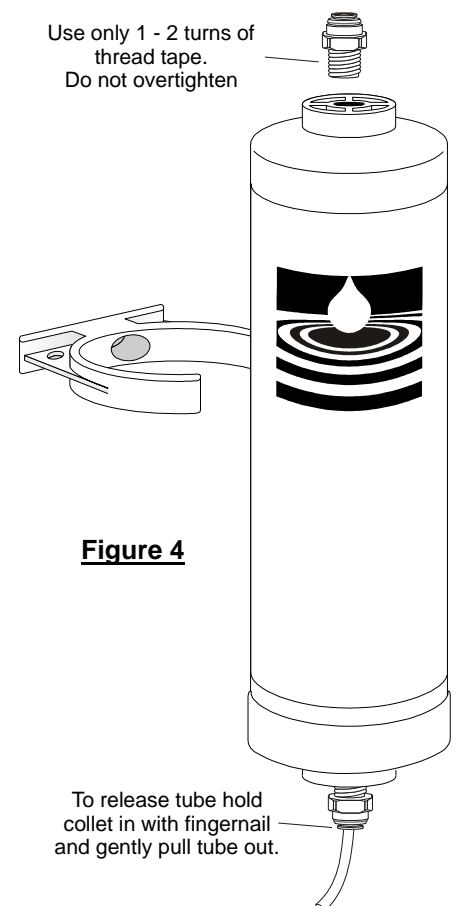


**Figure 2**



**Figure 3**

Use only 1 - 2 turns of thread tape.  
Do not overtighten



**Figure 4**